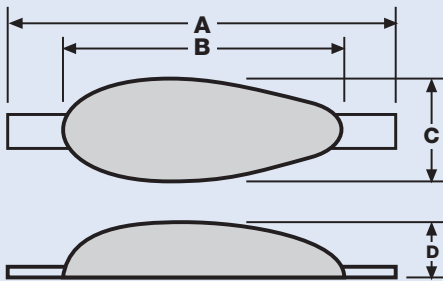
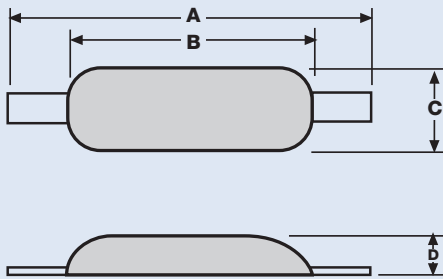


ALOLINE® AND ZINCOLINE® HULL ANODES AVAILABLE WORLDWIDE

The formulation shown opposite has been shown to be effective since its development over 25 years ago. Even minor variations can have a dramatic effect on the effectiveness of the alloys and their lifetime. End-users should insist upon very accurate control of the minor additives and remaining impurities, verified both by analysis using spark emission spectroscopy and regular short term electrochemical testing. It is false economy to purchase low-cost anodes, which are not correctly formulated to give the correct performance characteristics, protection currents and lifetimes.

Corrpro Companies Europe Ltd will calculate the theoretical current demand for customers and supply the necessary alloy weight and distribution of anodes to ensure their vessel is fully protected throughout the design life of the system.



Standard Composition	Aloline	Zincoline
Zinc	3.0 - 5.5%	99.314% min
Aluminium	Remainder	0.10 - 0.50%
Copper	0.005% max	0.005% max
Silicon	0.10% max	-
Iron	0.13% max	0.005% max
Titanium	0.02% max	-
Indium	0.01 - 0.02%	-
Lead	-	0.006% max
Cadmium	-	0.025 - 0.07%
Other	0.02% max	0.01% total max
Nominal Electromechanical Capacity (AH/kg)	2500	780
Nominal Solution Potential (mV) (Ag/AgCl)	-1080	-1050
Density (kg/m ³)	2710	7000

Aloline

Type	A	B	C	D	Insert Dims.	Nett Wt.	Gross Wt.
W131	300	200	95	32	20 x 3	1.2	1.3
W130	350	270	150	32	40 x 6	2.6	3.2
W111	500	400	150	32	40 x 6	4.0	5.0
W114	650	550	130	50	40 x 6	8.0	9.2
W117	650	550	130	65	50 x 6	10.1	11.6
W119	650	550	130	75	50 x 6	12.6	14.1
W118	650	550	130	95	50 x 6	16.5	18.0
W124	1015	920	130	50	50 x 6	13.0	15.4
W126	1015	920	130	75	50 x 6	21.0	23.4
W128	1015	920	130	105	50 x 6	30.0	32.4

Zincoline Anodes

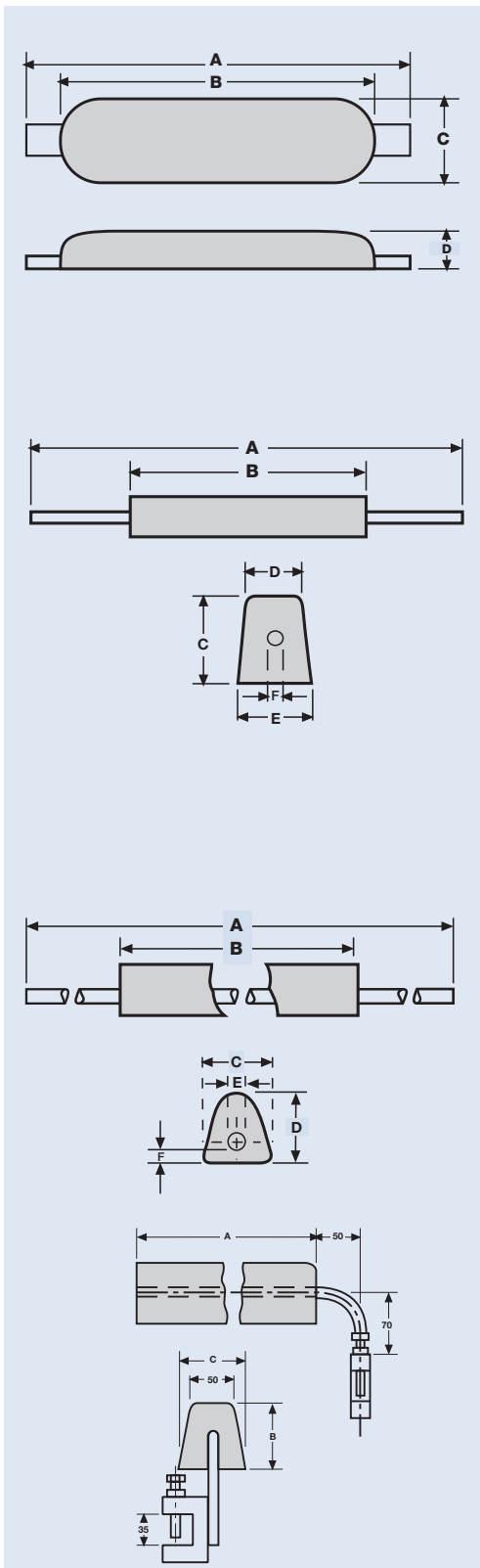
Type	A	B	C	D	Insert Dims.	Nett Wt.	Gross Wt.
WP0	200	120	40	25	10 X 3	0.5	0.55
WP1	260	180	60	32	20 X 3	1.0	1.1
WP2	300	220	75	38	20 X 3	2.15	2.3
WP5	380	290	100	50	30 X 5	4.55	5.0
W10Z	400	280	150	75	40 X 6	10.0	10.7
W16Z	520	420	160	70	40 X 6	15.0	16.0



Corrpro Companies Europe Limited

Adam Street, Bowesfield Lane, Stockton on Tees, TS18 3HQ
 Telephone: (01642) 614106
 Fax: (01642) 614100
 E-mail: ccel@corrpro.co.uk

ALOLINE® AND ZINCOLINE® HULL ANODES AVAILABLE WORLDWIDE



Zincoline Anodes

Type	A	B	C	D	Insert Dims.	Nett Wt.	Gross Wt.
WP3	300	200	95	30	40 X 3	3.1	3.2
W6Z	350	270	150	32	40 X 6	6.5	7.1
W11Z	500	400	150	32	40 X 6	10.8	11.8
W14Z	650	550	130	50	40 X 6	21.3	22.5
W17Z	650	550	130	65	50 X 6	25.0	26.5
W18Z	650	550	130	95	50 X 6	42.6	44.1
W19Z	650	550	130	75	50 X 6	33.0	34.5
W24Z	1015	920	130	50	50 X 6	35.0	37.4

Aloline High Yield Aluminium Tank Anodes

Type	A	B	C	D	E	F (Dia)	Nett Wt.	Gross Wt.
W110	1225	765	50	40	50	12	4.2	5.3
W115	1985	1525	50	40	50	12	8.4	10.2
W156	765	305	70	50	76	12	3.3	3.8
W155	1070	610	70	50	76	12	7.1	8.1
W154	1222	762	70	50	76	12	8.7	10.0
W153	1476	1016	70	50	76	12	11.6	13.1
W152	1730	1270	70	50	76	12	14.5	16.3
W151	1984	1524	70	50	76	12	17.3	19.3
W196	765	305	95	75	85	12	5.8	6.5
W195	1060	600	95	75	85	12	12.2	13.1
W194	1210	750	95	75	85	12	15.0	16.1
W193	1465	1005	95	75	85	12	20.2	21.5
W192	1720	1260	95	75	85	12	25.4	26.9
W191	1984	1524	95	75	85	12	30.9	32.7

Zincoline High Purity Zinc Tank Anode

Type	A	B*	C	D	E	F (Dia)	Nett Wt.	Gross Wt.
WT50Z	1676	1219	63	57	12	19	21.0	22.5
WT70Z	1676	1219	76	68	12	23	30.0	32.0
WT90Z	1676	1219	82	78	12	25	40.0	42.0
WT110Z	1676	1219	94	91	20	32	50.0	54.0

* Anode lengths given in this table are standard but other lengths can be supplied to order

Pit Guard Anodes

Type	Material	A	B*	C	Nett Wt. (kg)
Aloline Anodes					
AT2235	Aloline	193	70	76	2.25
AT2235/1	Aloline	386	70	76	4.5
AT2235/2	Aloline	344	70	76	4.0
ZT2247	Zincoline	332	70	76	10.0

All weights in Kilograms. All dimensions in millimetres. All weights and dimensions are nominal.



Corrpro Companies Europe Limited

Adam Street, Bowesfield Lane, Stockton on Tees, TS18 3HQ

Telephone: (01642) 614106

Fax: (01642) 614100

E-mail: ccel@corrpro.co.uk